

ELSA-3W SPOT LIGHT

TECHNICAL SHEET
AZ-1004-3

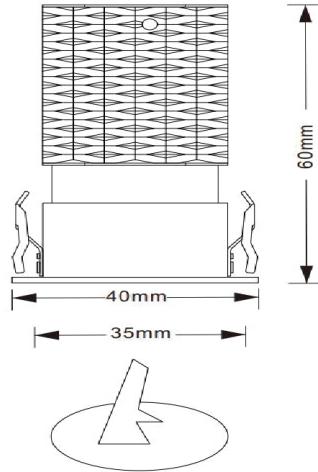


KEYLIGHT

SPAIN

PRODUCTOS DE ILUMINACION

DRAWING



SPECIFICATIONS

Product Code	AZ-1004-3
Power	3W
Input	AC 220-240V
Color Temperature	3000k-4000k-6000k
Chip	Eaglerise
Driver	Bridgelux
Beam Angle	15°/24°/36°
Power Factor	0.5/0.9
CRI	90
Working Lifetime	30000 H
Working Temperature	-20°C ~ 45°C
Storage Temperature	-20°C ~ 50°C
Color	Gold/Black/White/...
Cut-Out	ø35mm
Dimensions	ø40mm*H60mm
Material	Aluminum
IP Rating	IP 20
Warranty	3 years

